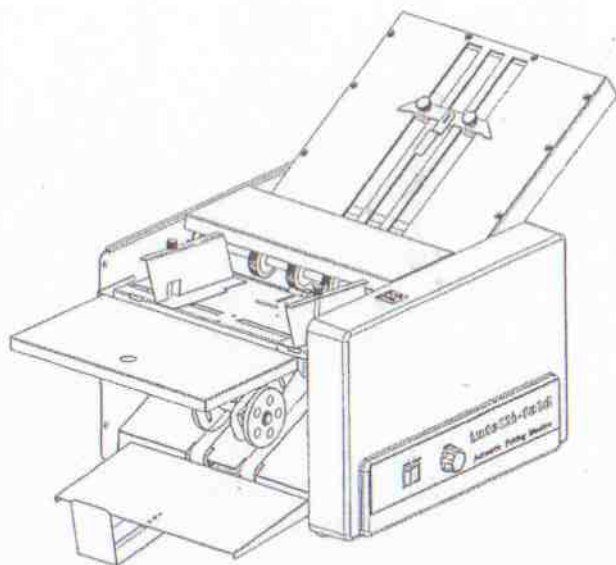




intelli-fold

Operating Instructions

DE-112AF, DE-172AF



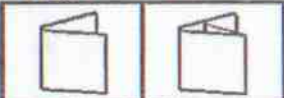
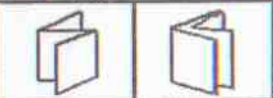
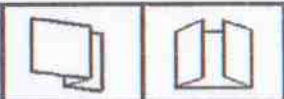

1. Specification.....	1
2. Assembly of Machine	2
3. Machine operation and setup instruction	
3.1 Setting Fold Plate 1 and 2.....	3
3.2 Setting Fold Plate Stopper Position	3
3.3 Setting Hold-Down Wheels and Collection Tray Stopper	3
3.4 Setting Paper.....	4
3.5 Safety Cover and Featurer	5
4. Machine Operation	
4.1 Test folding	5
4.2 Starting Folding	5
4.3 Paper Feed Angle Adjustment.....	6
4.4 Correcting Paper Jam	6
5. Maintenance	7

INTRODUCTION

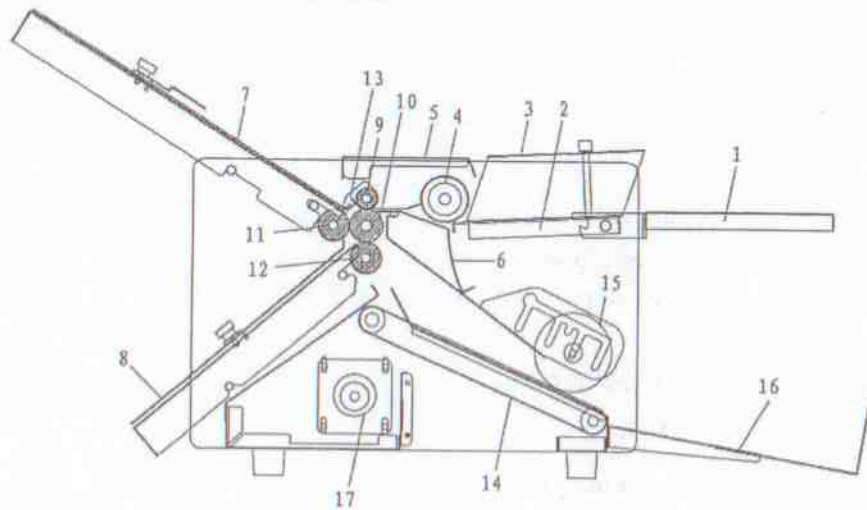
Your new Folder is a small automatic folding machine which will efficiently solve all your folding problems over many years if you handle it expertly and with care. Thanks to new advances in production technology. The machine offers you outstanding capacity at reasonable cost.

This manual provides a permanent record for ready reference, covering the function of the separate units and the preparatory work for the various folding applications.

1. SPECIFICATION

<i>Model</i>		<i>DE-112AF</i>	<i>DE-172AF</i>	
Paper Size Allowed		A4 or 8.5" x 11	A3 or 11" x 17"	
Paper Weight		60 – 90 gsm		
Folding Speed		6000/hr, Adjustable		
Fold Table Capacity		500		
Machine Dimension	L	740	800	
	W	450	500	
	H	430	440	
Machine Weight		21.0 KG	24.5 KG	
Folding Style	Single	Letter	Zig-Zag	Double
				
				
		Fold Out	Gate	Cross Fold (2 step process)

2. ASSEMBLY OF MACHINE



- | | | |
|------------------------|------------------|---------------------|
| 1 Feed Table Extension | 2 Feed Table | 3 Paper Guide |
| 4 Feed Roller | 5 Safety Cover | 6 Feed Table Guide |
| 7 Fold Tray I | 8 Fold Tray II | 9 Roller 1 |
| 10 Roller 2 | 11 Roller 3 | 12 Roller 4 |
| 13 Paper Block | 14 Conveyor Belt | 15 Hold-Down Wheels |
| 16 Collection Tray | 17 Motor | |

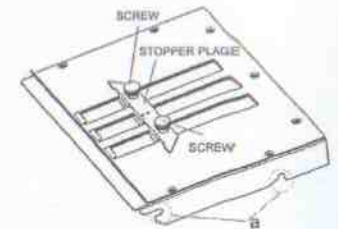
PAPER SIZE	A3				B4				A4				B5													
TABLE		T	S	R	M		T	S	R	M		T	S	R	M		T	S	R	M						
	-	T	-	S	-	R	-	M			-	T	-	S	-	M			-	T	-	S	-	M		
	15	H	12	D	10	B	8	A		15	G	13	D	9	B	7	A		15	G	13	D	9	B	7	A
	9	P	7	K	5	G	3	C		10	P	8	K	5	E	3	C		10	P	8	K	5	E	3	C
	19	P	17	K	14	E	11	C		19	P	17	K	14	E	11	C		19	P	17	K	14	E	11	C
	6	T	4	S	2	R	1	M		6	T	4	S	2	M	1	H		6	T	4	S	2	M	1	H
	20	H	18	D	16	B	13	A		20	G	18	D	15	B	12	A		20	G	18	D	15	B	12	A

172AF
112AF
172AF
112AF

3. MACHINE OPERATION AND SETUP INSTRUCTION

3.1 Setting Fold Plate 1 and 2

Left and right side of Fold Plate 1 has a slot (a) each. Aim them to the studs of machine. Same process for Fold Plate 2, set extension feed table and paper stacking tray to its rest positions.

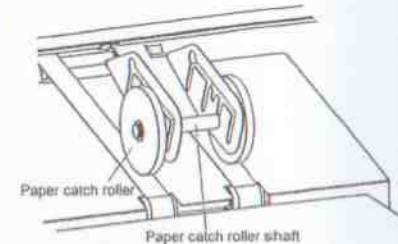


3.2 Setting Fold Plate Stopper Position

- 3.2.1 According to the adjustment example on tray set the stopper (1) (2) to the scale on ruler.
- 3.2.2 Unfasten the screw on stopper plate of the tray to move the screw at the position on desired paper size and then tighten it.
- 3.2.3 The same process of tray (2)

3.3 Setting Hold-Down Wheels and Collection Tray Stopper

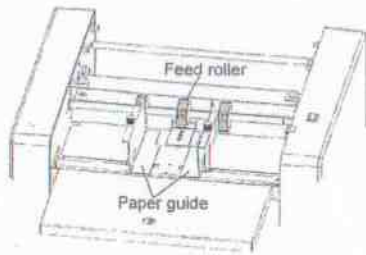
- 3.3.1 The paper hold-down roller should be set according to the size of stock being processed. The wheels should be position as such that paper should not hit the wheels and the wheels would collect them immediately after the paper is on the conveyor belt.



- 3.3.2 Whenever paper is jammed at the time of ejection, adjust the eject roller to the best position. This procedure is also necessary to avoid alteration of folded paper length as well as curling of paper caused by variations in temperature and humidity.
- 3.3.3 Pull out the collection tray stopper to ensure the stock will be neatly collated.

3.4 Setting Paper

- 3.4.1 Raise the paper feed lever and position the paper feed table.
- 3.4.2 Place the paper on the paper feed table with its printed side facing up. Place the paper with its printed side down in case of fold-out fold style.
- 3.4.3 Adjust paper guide on left and right side so that it can touch the paper guide lightly. Set the center of paper to align the paper feed roller.
- 3.4.4 Tighten the paper guide set screw.
- 3.4.5 Lower the paper feed lever to raise the paper feed table so that the paper can touch paper feed rollers



CAUTIONS

Stock may be fed into the folder unit improperly if the roller is not firmly against the paper. The feed roller may be prevented from touching the paper if the leading edge of the paper comes in contact with the front plate of the feed tray. In this case the paper should be repositioned by sliding it a trifle backward.

Curled or wrinkled paper may cause trouble. Correct the curled or wrinkled part before use or else discard it.

Use printed paper only after the ink is dry, otherwise the rubber paper feed roller, paper separator, fold roller, and other parts of the unit will be stained with ink, causing trouble.

Do not use ruled paper as it may cause paper-folding to deteriorate.

3.5 Safety Cover and Features

- 3.5.1 The DE-102AF comes with a safety cover and two safety features on the folding tray.
- 3.5.2 If the safety cover is opened, or if the folding tray is not engaged properly, the machine will not run. Please ensure they are in the correct position before you run the machine.

4. MACHINE OPERATION

4.1 Test folding

Press the **START** key to feed two sheets of paper then press the **STOP** key to halt feeding. Check if the paper has been folded correctly by examining the second of the two folded sheets.

4.2 Starting Folding

4.2.1 Press the **START** key

Paper feed will stop automatically when:
All paper has been folded

Note:

Once you have completed the plate setting, you should not alter machine speed again, as this may change the length.

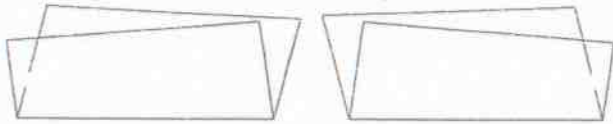
4.2.2 In case of paper jam or other irregularities occur, switch the power **OFF** immediately.

4.2.3 Stop paper feed.

Press the **STOP** key to halt paper feed while the unit is in operation.

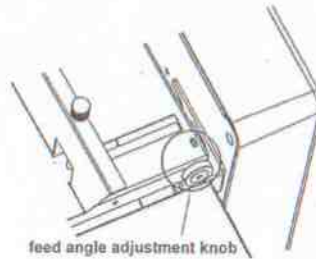
4.3 Paper Feed Angle Adjustment

Turn the feed angle adjustment knob to the right, if the lower side of the folded paper slants to the right after ejection. Turn the knob to the left, if the lower side slants left.



Side folded by Tray 2 (downside)

In case other than, single fold, put the folded stock face down on Tray 1 to make a slant ejection adjustment



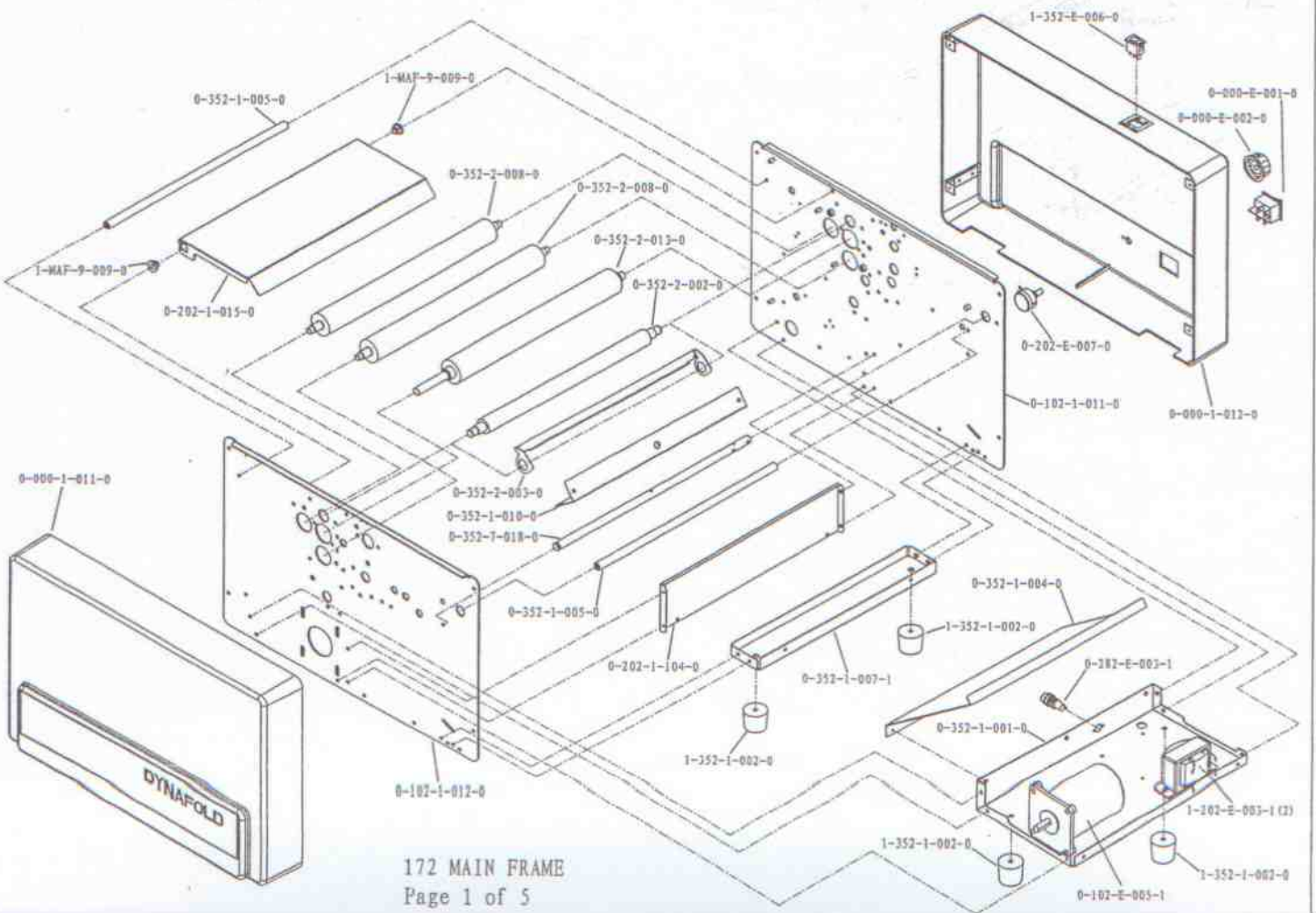
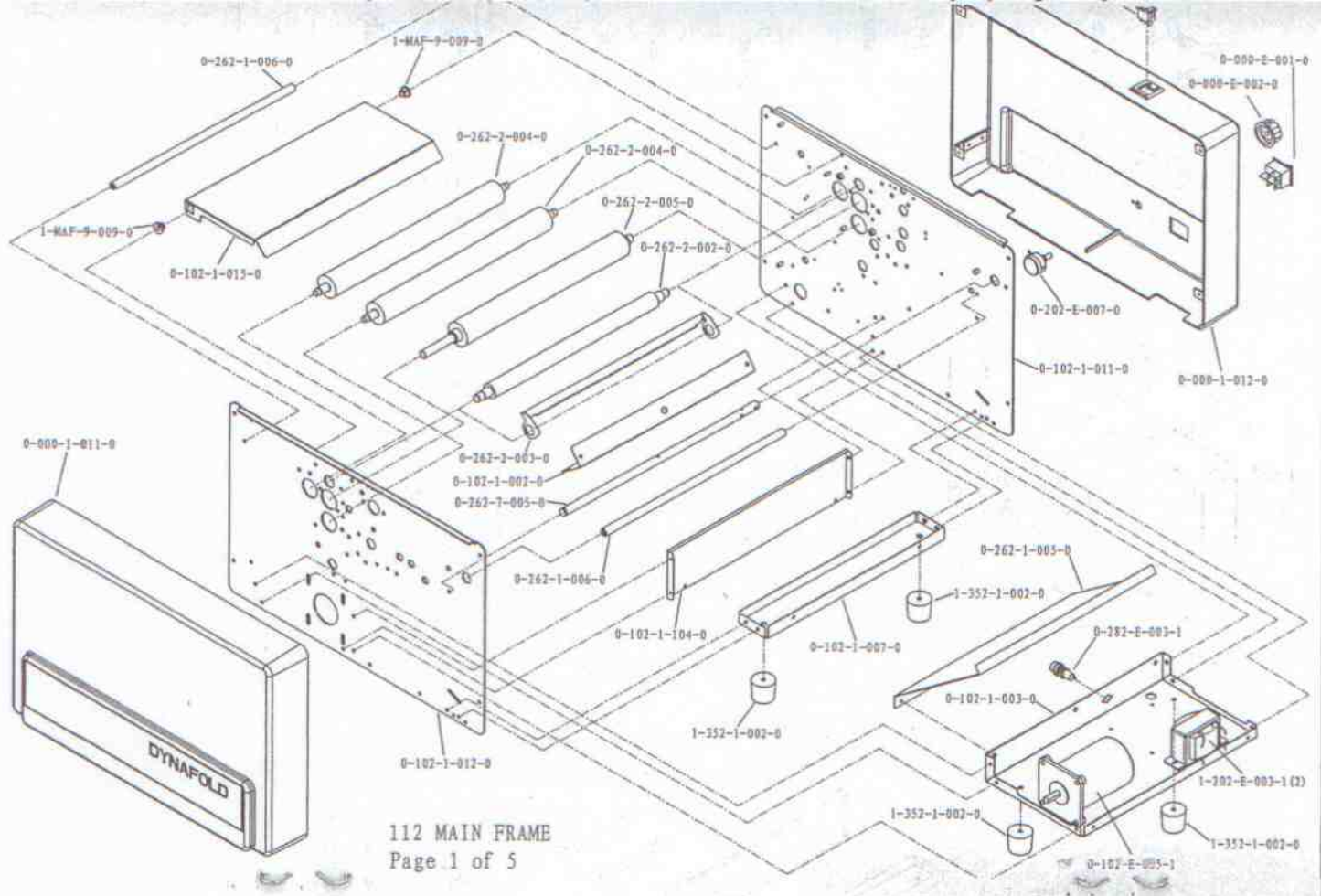
4.4 Correcting Paper Jam

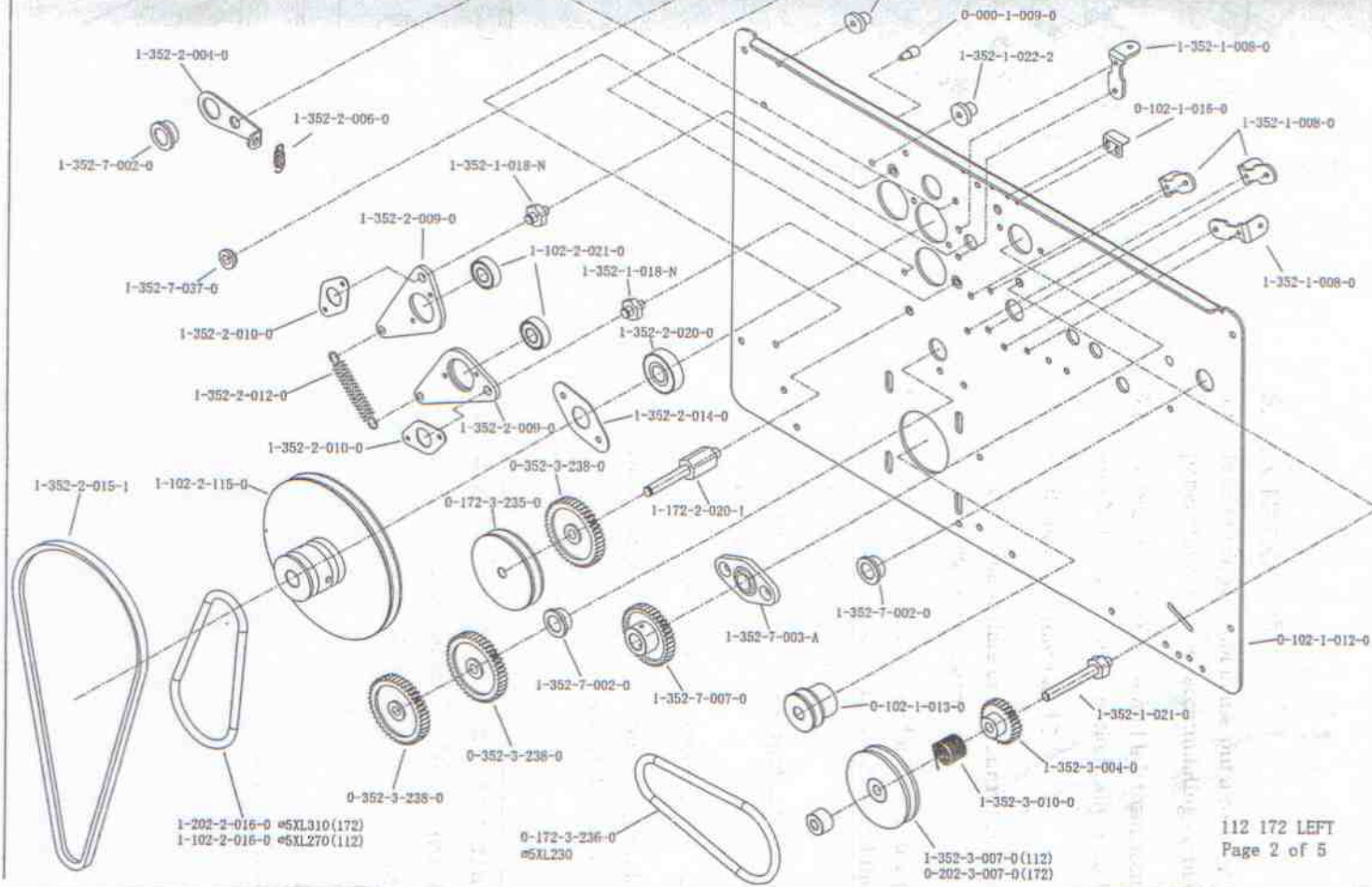
Should a paper jam occurs, turn the power OFF immediately and remove the jammed sheets. When the jammed paper is stuck around the fold roller or other parts, it can be easily remove by detaching the tray 1 and 2 from the folder unit.

5. MAINTENANCE

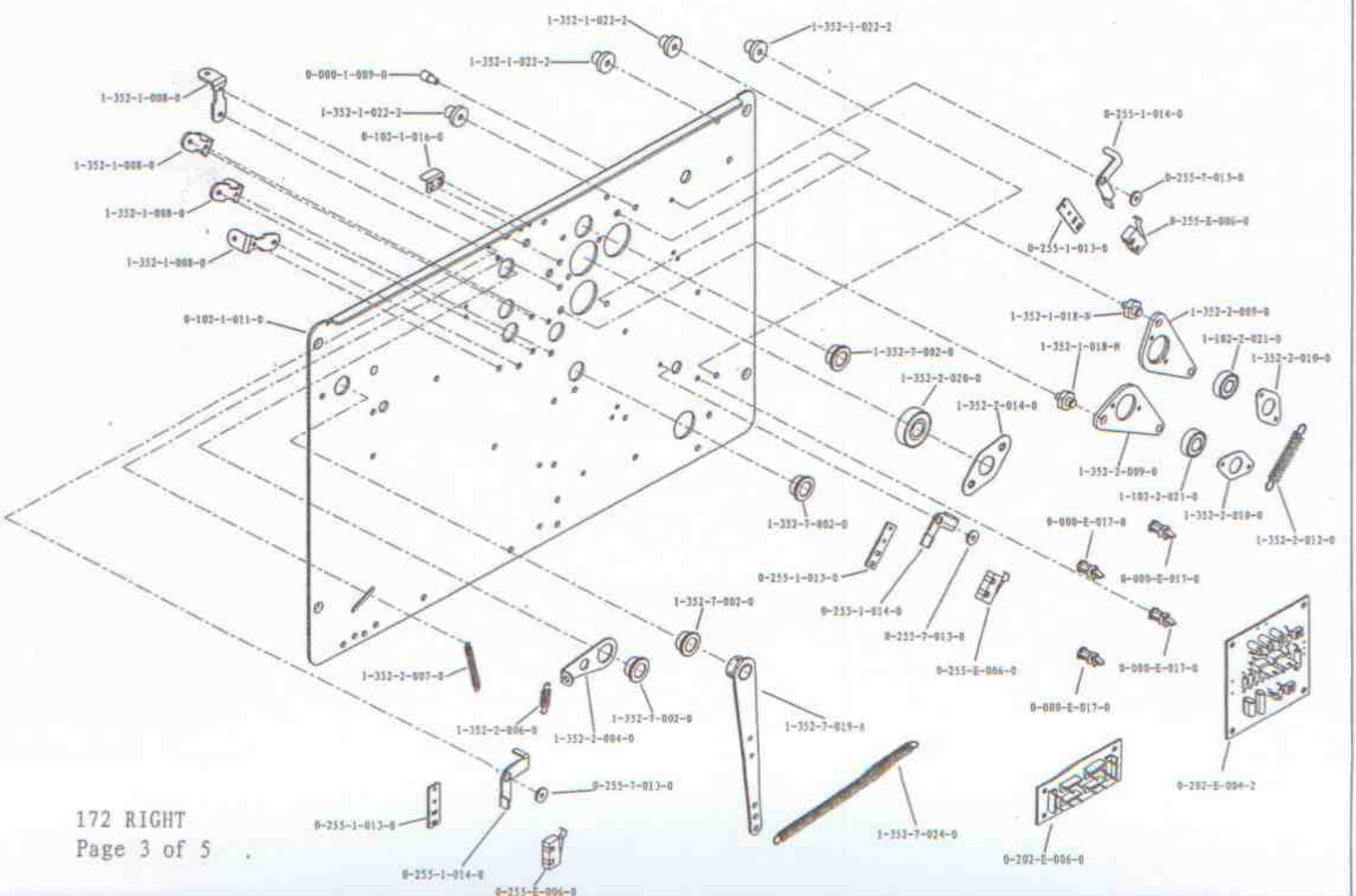
- 5.1 When the unit is not in use put a cover in place to prevent dust, paper chips etc, from accumulating on the four paper fold rollers.
- 5.2 To prevent paper chips and ink from accumulating on the paper fold rollers, clean them periodically as follows:
 - Remove the tray 1 and 2.
 - Clean the surface of the four rollers using a folder unit cleaner or rubber roller cleaner.
- 5.3 To remove paper chips and ink to ensure maximum performance, clean the rubber paper feed rollers and the paper separator periodically as follows:
 - Clean the surface of the rubber rollers using a rubber roller cleaner.
- 5.4 Be sure to switch the power OFF before cleaning the machine.
- 5.5 Outer surface of the fold unit; -Periodically clean the unit with alcohol or a folder unit cleaner. Do not use detergent as it will cause discoloration.

Warning: During operation and maintenance keep Hands, Hair and loose Clothing Clear of moving parts. Service or Disassembly of side covers should only be done with power cord disconnected.

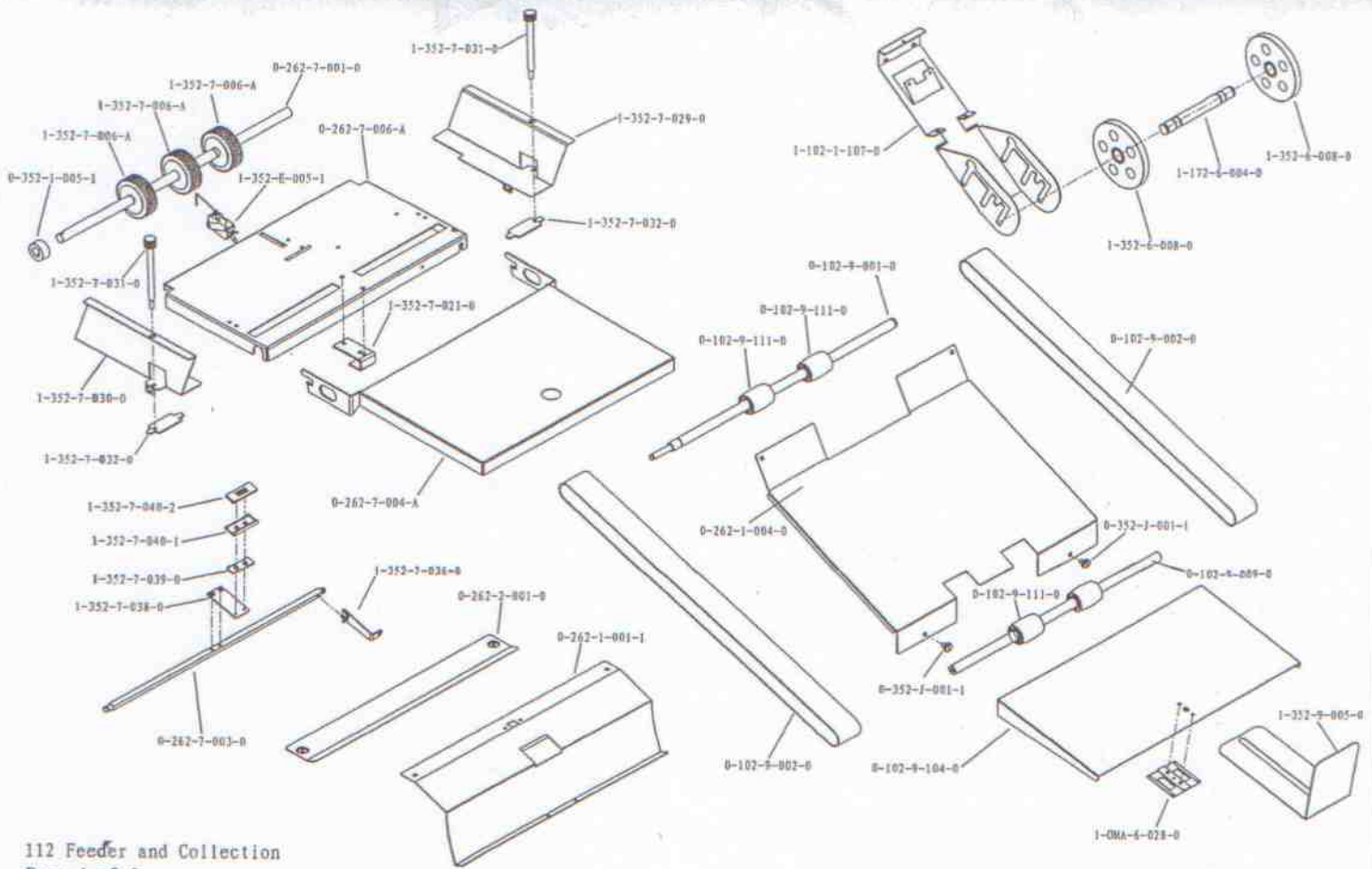




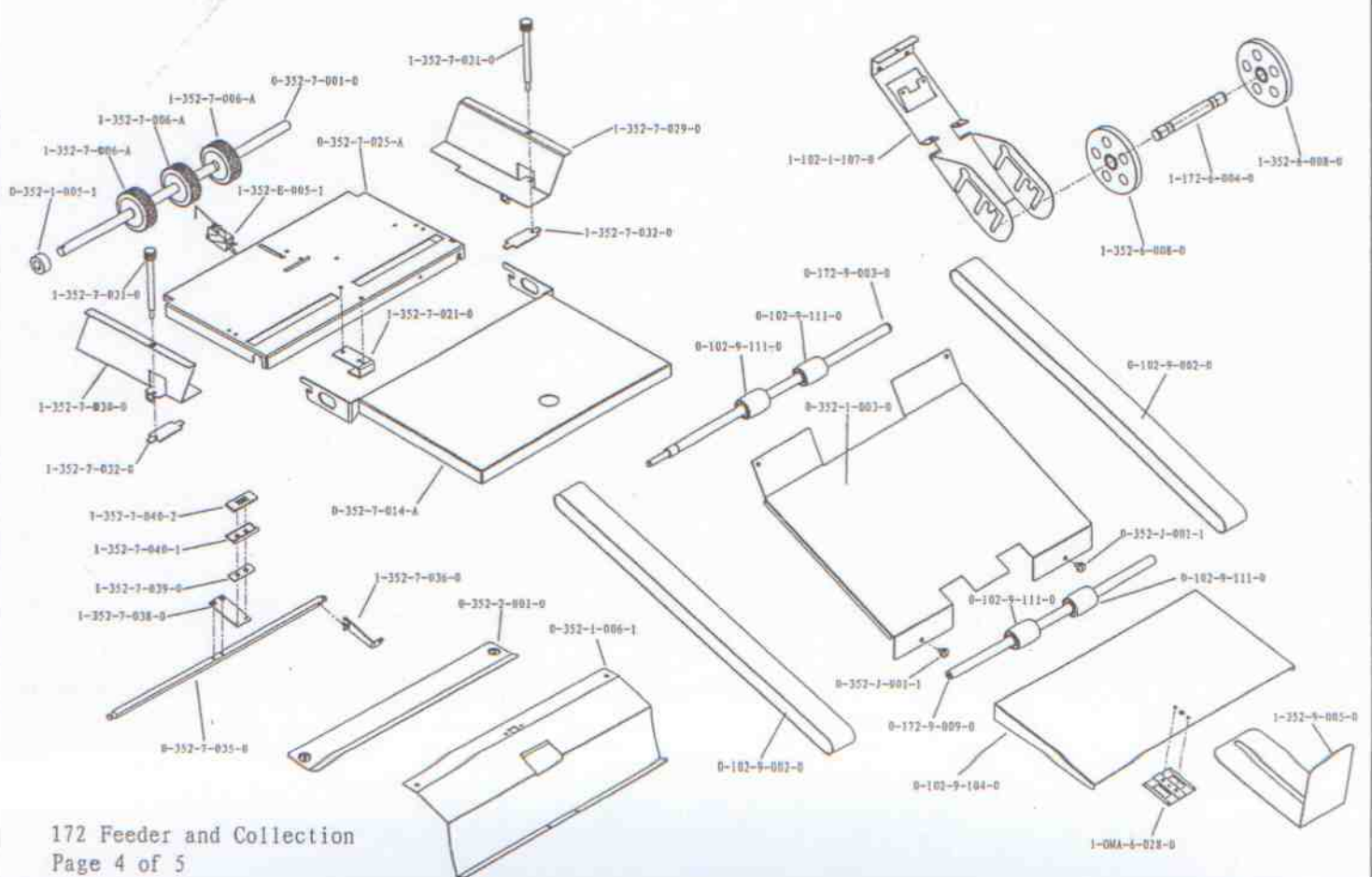
112 172 LEFT
Page 2 of 5



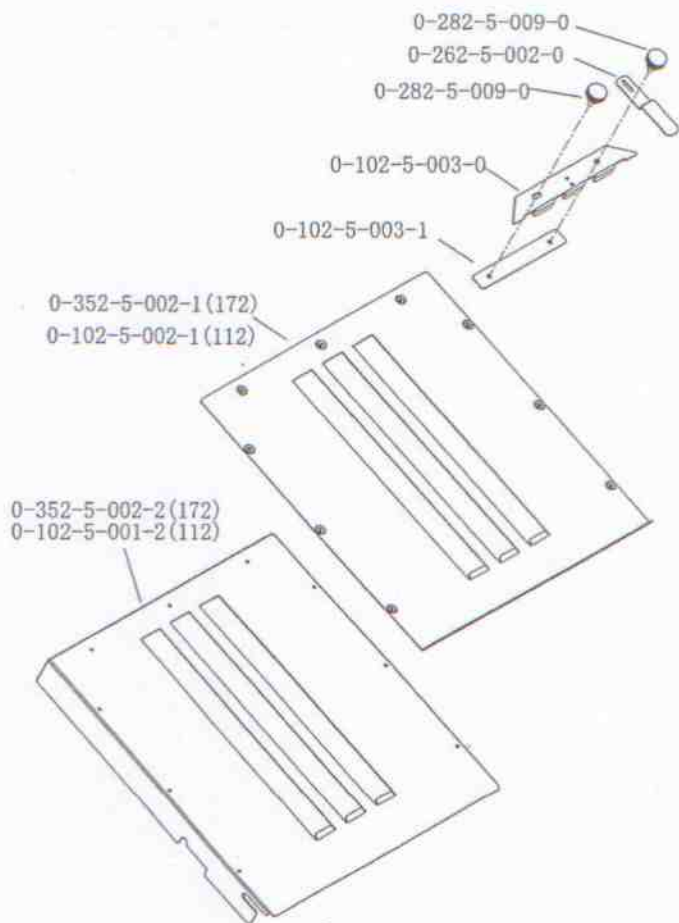
172 RIGHT
Page 3 of 5



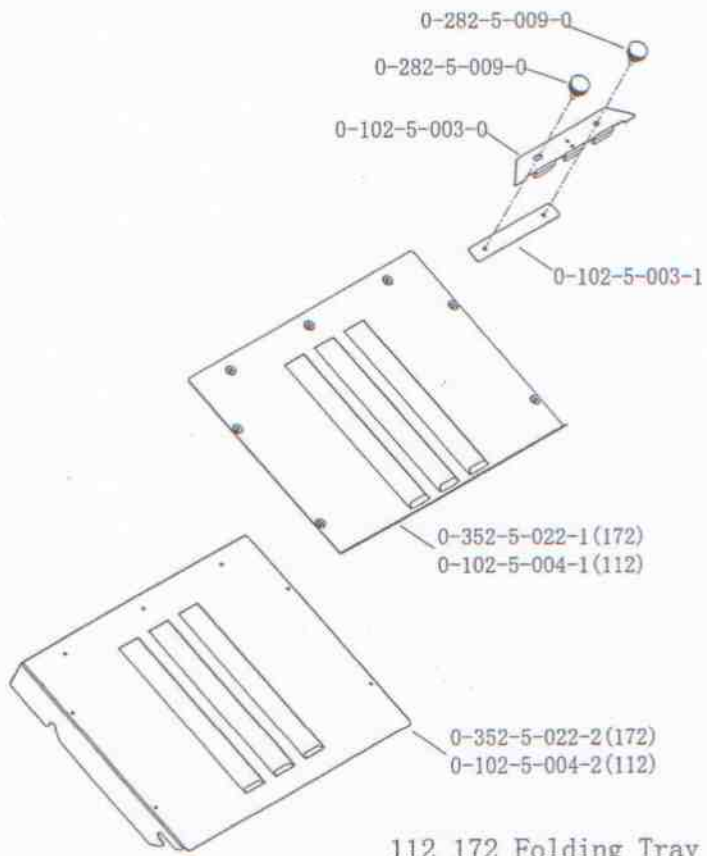
112 Feeder and Collection
Page 4 of 5



172 Feeder and Collection
Page 4 of 5



Folding Tray I



Folding Tray II